

**Problem:** Cats needing private ventilated area for personal business

*Must be:*

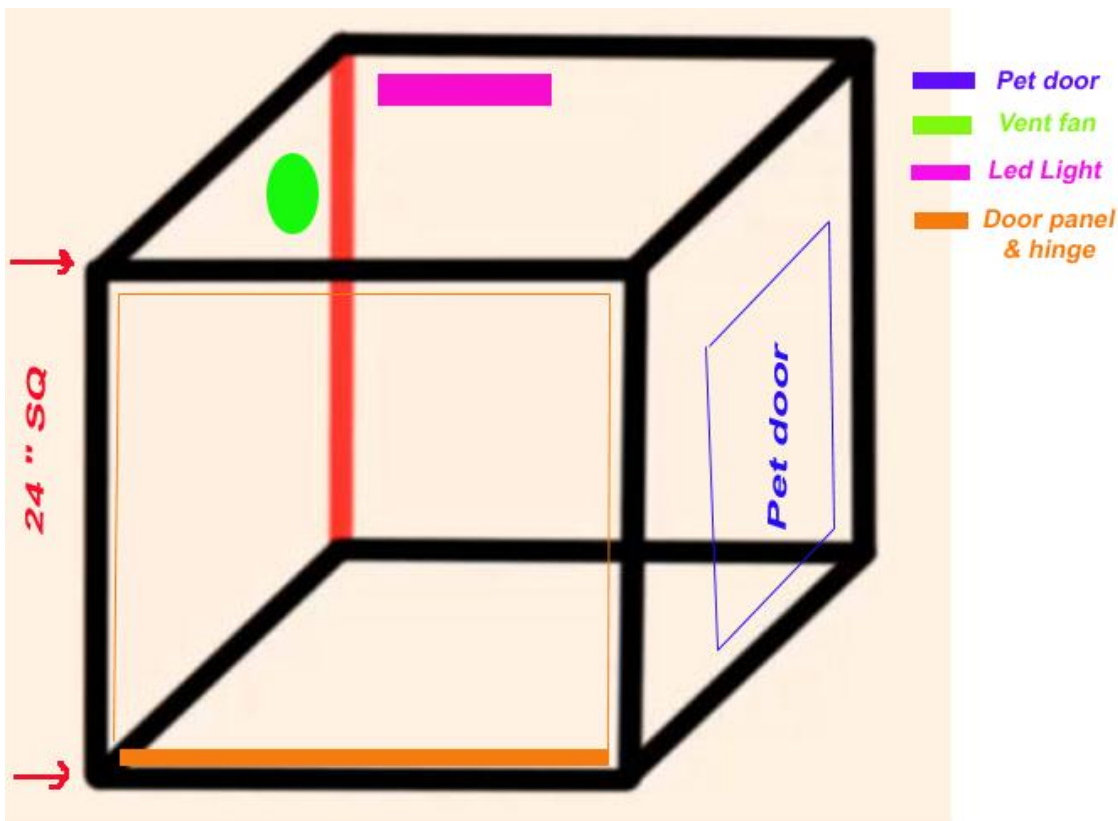
- A. Self contained
- B. Out of site and out of mind.
- C. Automatic Power Venting to outside of the RV.
- D. Swinging door to the inside of the RV.
- E. Automatic lighting (just in case they would like to read supplied magazine)

**Solution:** Purpose built restroom fitted in the rear cargo compartment with door to inside of RV.

**Details:** Extensive research of our Winnie RV revealed the best option was indeed the rear cargo compartment. After measuring the often non used area of the cargo compartment a 2 foot by 2 foot wooden box was designed by a non famous Architect (me) and built in-house.

Cats like to have their own private rest area. I do not like a cat box anywhere in the open especially the shower. To solve the problem I built a 2 foot square box & installed in the storage area but accessible by a swinging pet door. ALSO for smelly times a small fan pulls the odor out of the box through 3" dryer duct to the outside of the "Winnie" But of course our spoiled cat needs a light... I guess so she can read a magazine while ,,well you know!

Here is the "over engineered" litter box for Shadeaux the black cat!



## PARTS LIST

1. Fan is a 12v dc computer vent fan, connected by bathroom vent duct to the outside of the RV, mine simply goes through the cargo floor.
2. Light is a small led orange trailer clearance light.
3. Switch is a **normally open magnetic reed switch**: (Search on E Bay)
4. Timing Circuit board can be found at **Ebay** search for:  
**12V Power-ON delay relay Module Delay circuit module.**
5. Pet door can be found at any large hardware store.
6. Plywood (I used 1/4" with 1"X1" framing support structure)
7. Carpet and pan of appropriate size.

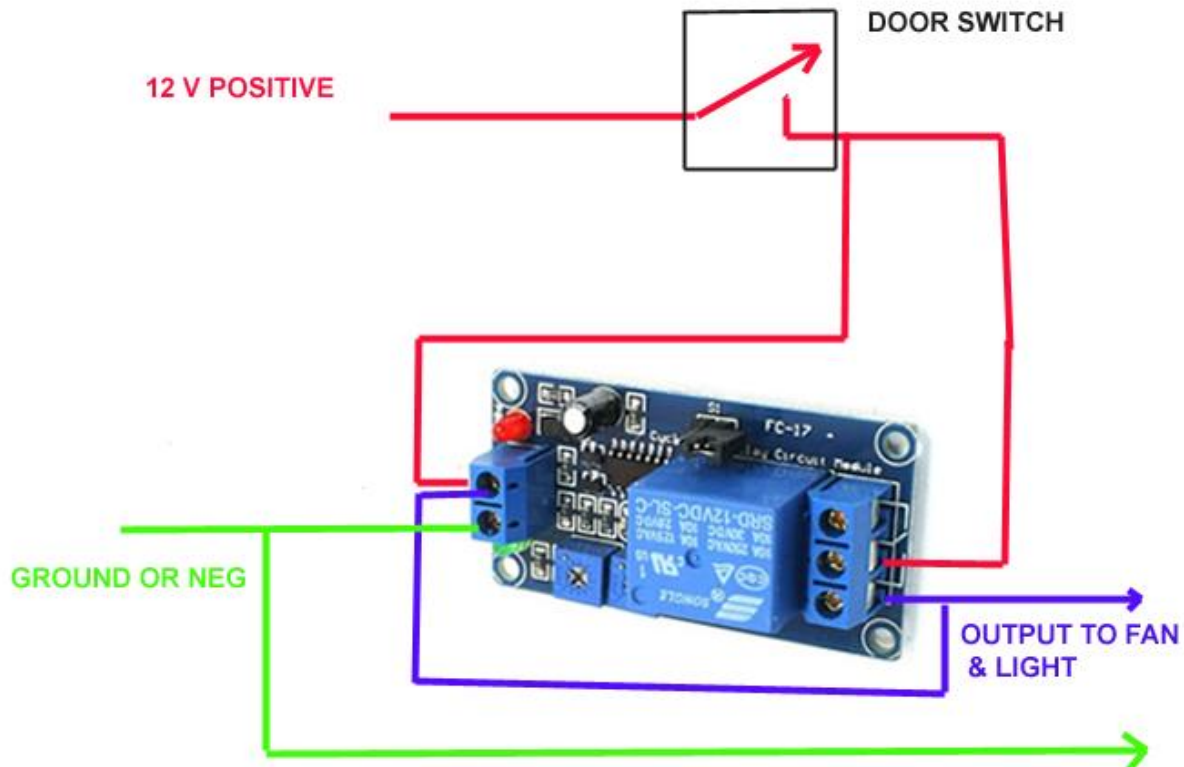
Create a 2ft by 2ft box from plywood. One wall will hold the pet door that opens into the RV from any storage space you choose. One side wall is hinged allowing access so the pan can be cleaned as needed.



**Attach the wired portion of the magnetic switch to the stationary part of the pet door.**

**The non wired magnet is cemented to the swinging door so the magnet passes close to the other half & triggers the timer circuit.**

## Wiring the circuit board!



**The blue line is also a feedback circuit to keep the fan & light on for the set amount of time**

Adjust the timer for the desired length of “ON” time. (I choose 25 minutes)

The fan is connected to the box by a 3” hole cutout on one side and dryer duct connected to the blowing side. All odor is sent out into the atmosphere contributing to holes in the ozone if you believe some of the doomsayers. All I know is the wife and I are very happy not knowing what Shadeaux is doing while on the throne! It is funny to see her paw at the door just to watch the fan and light come on. BTW the fan makes no noise whatsoever!

Shadeaux enjoys watching birds and other creatures through the windshield of the RV. Often the potential victim will run or fly out of sight of the predator who will run to the rear of the rv for further stalking through windows. In this case Ruby the dog will often give chase to the cat. Kitty will usually run into her restroom in which case Ruby comes to a sudden stop thinking “no way I’m sticking my nose in there!”.

